

Senators Question Burch, Wellsp7
N.Y. State Hearings On CATVp8
Copyright Bill Likelyp9
TelePrompTer To Acquire Voltp9

October 20, 1969

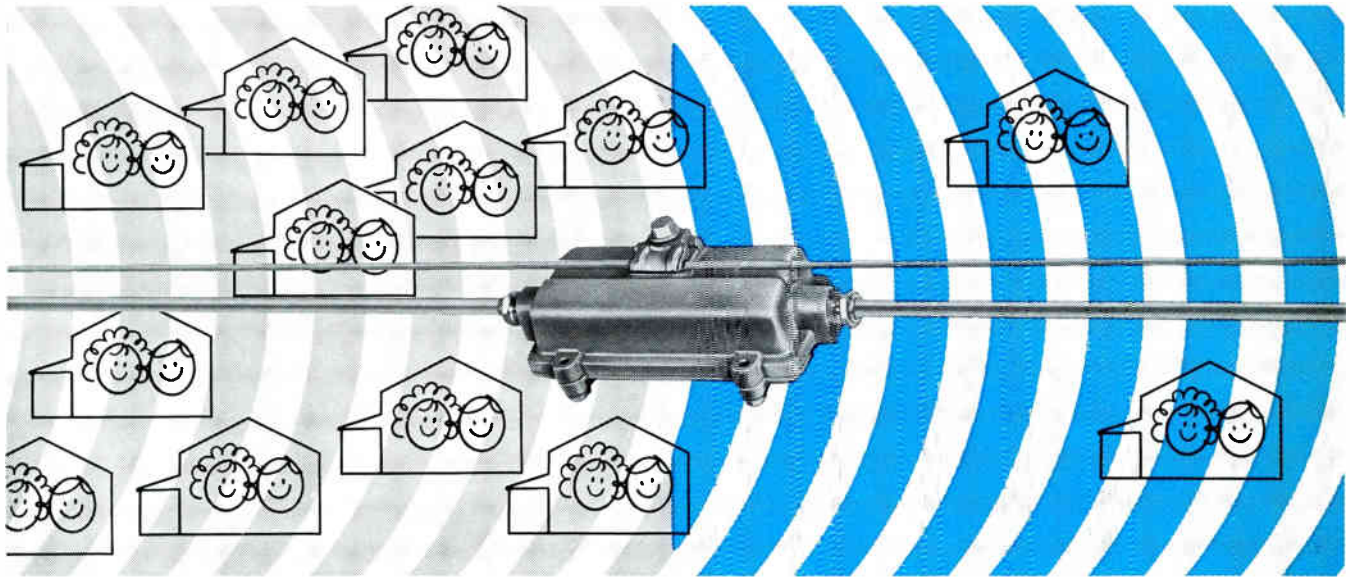
CATV

Authoritative Newsweekly of Cable Television



JOR9774IKOWN,1905X
J PAUL ROMAN
ROMANS TV INC
790 5TH ST
MADRAS
OK 97141

Add subscribers who live beyond your feeders

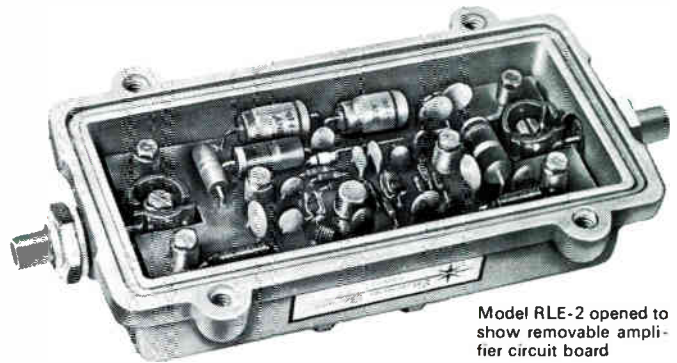


RANGER Line Extender Amplifiers

CATV operators get a new flexibility and economy in feeder line extension by using RANGER Line Extender Amplifiers.

Jerrold Model RLE-2 amplifiers are such excellent performers they can be cascaded to create a low-cost feeder system. They are housed in weather- and radiation-proof diecast aluminum housings. Access to the housing requires removal of only four hexhead stainless steel bolts. The printed-circuit board of the RLE-2 can be removed from the housing for inspection without disturbing the cable connections.

Jerrold Model RLE-1 amplifiers are economy versions used singly as feeder-line extenders to reach a few additional subscribers. They resemble the RLE-2 in every way except fittings and cable must be removed before circuit can be lifted from housing.



Model RLE-2 opened to show removable amplifier circuit board

SELECTED SPECIFICATIONS

	RLE-2	RLE-1
OUTPUT CAPABILITY for each of 12 channels with cross-mod down 57 dB operated at 3 dB block tilt	41 dBmV	35 dBmV
GAIN AT 240 MHz, fixed		9 dB
FREQUENCY RANGE		40 to 240 MHz
FLATNESS over entire range		±0.75 dB
TILT, fixed		5 dB
IMPEDANCE, input & output		75 ohms
NOISE FIGURE at CH 13		12 dB max
CONNECTORS		QF-412

Order from your Jerrold CATV salesman, or request full information from Jerrold Electronics Corporation, CATV Systems Division, 401 Walnut St., Philadelphia, Pa. 19105
Phone: 215-925-9870 TWX: 710-670-0263

JERROLD

FIRST IN CATV

a GENERAL INSTRUMENT company



OUR COVER

MAYOR WITNESSES CONTRACT SIGNING: Contracts have been completed, and work is now underway to rebuild and complete the Daly City/Broadmoor Cable TV system using the new Ameco "Discade", (see story inside). Left to right are Henry Gastman, General Manager of Vista Grande Cablevision; Bruce Merrill, President of Ameco, Inc.; and Daly City Mayor Bernard J. Lycett.

CATV

Authoritative Newsweekly of Cable Television

Stanley M. Searle — Patrick T. Pogue
Publishers

Robert A. Searle — Editor

Jacqueline B. Morse — Managing Editor

Charles E. Bell — Assistant Editor

Mark Day — Editorial Assistant

D A A. Lindmark — Art Director

Steve Riley — Production

R. Wayne Wilson — Advertising Director

Buford S. Marsh — Business Manager

Don Hardesty — Circulation Manager

Washington Bureau: (202) 393-4488

Conspectus

page 7

Senate Commerce Committee measures Burch and Wells up to FCC standards. CATV included in questions which prove to be no roadblock to confirmation.

page 8

CATV notables get little competition in presentation to New York Assembly committee. Main opposition is theater owners and ABC.

page 9

TelePrompter Corp. and Volt Information Sciences Inc. say they have reached an agreement to merge, subject to approval of shareholders. One TPT share nets 10 of Volt's.

page 9

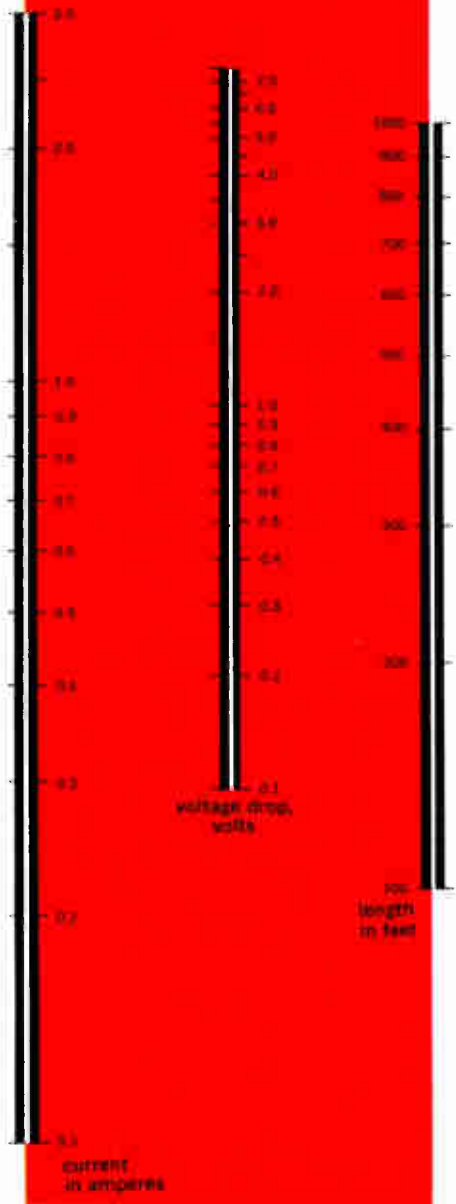
Halloween seems unbelievable for release of a copyright bill from subcommittee, but sources have it that way. CATV is expected to be included.

Contents

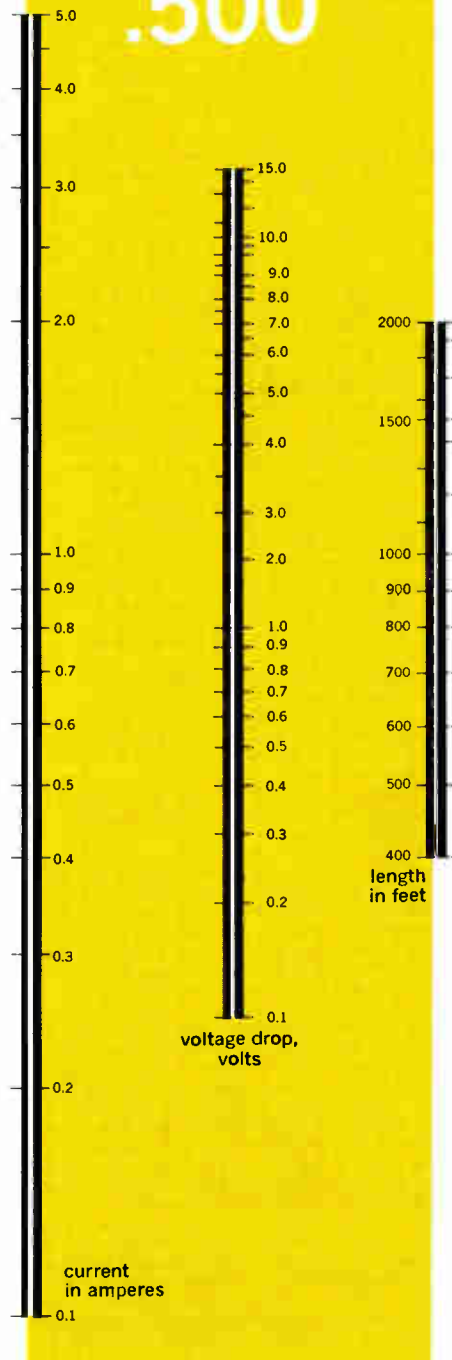
Viewpoint	5	Franchises	16
Calendar	8	Construction	17
Moving Up	14	Classifieds	21
Financial	15	Profile	22

CATV, October 20, 1969, Vol. 3 No. 42. Published every Monday by CATV Publications, Inc., 1900 W. Yale, Englewood, Colo. 80110. (303) 761-3770. Subscription Rate: \$33 for 52 weekly issues, plus CATV Systems Directory and CATV Equipment Directory. Single copy price: \$2.00. CATV (title registered at U.S. Post Office) Second Class postage paid at Englewood, Colo. For subscription orders, renewals, and address changes contact the CATV Circulation Department: Please allow six weeks for processing. An address label will expedite address changes.

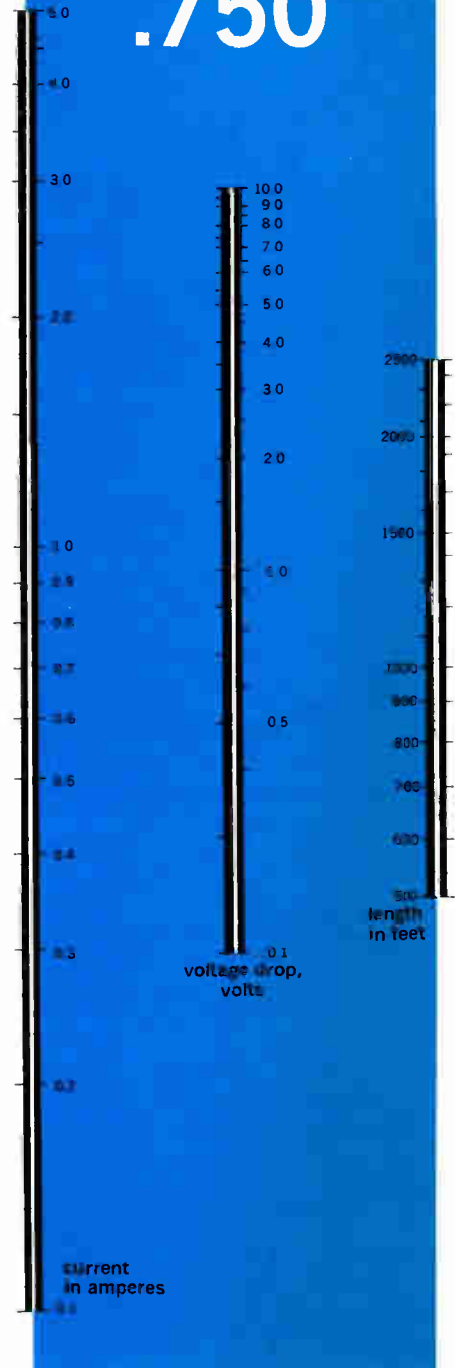
.412



.500



.750



CABLE POWERING NOMOGRAPH

To calculate voltage drop quickly and easily, use chart corresponding to your cable size. Place a ruler to connect the current on the left scale and the cable length on the right scale. Read voltage drop on center scale. Example: for .412 cable, connect 2 amps and 400 feet to find voltage drop of 2.1.

(for detailed guide to cable powering, see your Amecom or write address below)

TYPICAL REQUIREMENT

PII-M	Mainline amp	330 MA
PII-A	AGC amplifier	500 MA
PII-MB	Combination	700 MA
PII-AB	AGC Combo	750 MA
PII-B	Bridger	600 MA
PII-LE	Extender	400 MA

Nomograph for aluminum cable with solid copper center conductor. For copperclad aluminum, increase voltage drop by 40%.



Robert A. Searle
Editor

Viewpoint

Local Contest-National Significance

Especially in a field such as CATV—so tempting yet so troublesome to lawmakers—even the most local developments tend to have a wider significance. So it is with the happenings in New York over the past few weeks. In the midst of hearings on whether cable television ought to come under the purview of the Public Service Commission there, the state's highest court handed down its decision that Comtel need not have a franchise from the City of New York in order to provide CATV through telephone company underground lines.

Whatever legal and economic justifications can be argued for Comtel's position, the fact remains that it does not make it easier for others in the industry who are endeavoring to present a strong case for "home rule" as opposed to state-level regulation. The unusual timing of events in New York clearly pointed up the inevitable conflicts resulting from overlapping state, municipal and federal regulation. At the base of most attempts at state PUC regulation is the rationale that the federal government, in its CATV rules, is not directly concerned with the subscribers' welfare, and that *some* governmental body ought to be so concerned. Among other rebuttal arguments, CATVers have consistently pointed out that the individual subscriber's rights are best protected by the public authority closest to the scene—the local franchising power. When that power is successfully defied, as has happened in the Comtel case in New York City, the PUC advocates have just that much more ammunition in their arsenal.

There's little danger that many CATV operators will rush to follow the example of Comtel. As reluctant as cablemen may be to pay a healthy percent of gross as a franchise fee, they are generally even more reluctant to put themselves at the mercy of the telephone companies. Few have been fooled, either by the 214 decision or other developments, into believing that the telephone companies are any less interested in CATV than before. The Bell system may be prevented from owning and operating cable television systems; but there is no persuasive evidence that it would not and could not control all coaxial cable in the major markets as well as the all-important interconnects from market to market. As important as the cable itself could be to Bell for its own use—just as important is making sure that cablemen do not independently offer broadband service. Bell would like to introduce such developments as Picturephone on its *own* timetable—not one accelerated by an upstart CATV industry. And Bell certainly is not ready to accept cable television as a competing leased common carrier service—which is a future seen by many informed observers. You can bet that Bell and the independents will defend *that* rampart until the last. Morris Tarshis, NYC's chief of the Board of Franchises, last week urged the state committee to look at CATV as a "total communications medium," not simply an "entertainment medium." Good advice for everyone.

And the remarkably clean EEV Vidicons can be used in *any* position without a chance of spotting the target . . . because there's no dust or dirt in an EEV Vidicon to cause spots.

The reason? A fanatical approach to production cleanliness typified by the world's cleanest clean rooms.

And cleanliness is only part of



the picture. There's more: like unusually high resolution, high sensitivity and short lag, and a reliability factor second to none . . . 8,000 hours or better!

Write today for complete details:
Visual Electronics Corporation,
United States distributor for English
Electric Valve Corp., at 356 W. 40
Street, New York, N.Y. 10018

A cleaner vidicon is a tiltable vidicon.



New FCC Designates Field Questions From Committee: CATV Leads Off Topics

Senate Commerce Committee quizzes Burch and Wells with CATV heading subjects. Republican pair seems certain to step into FCC without scars from committee degradation.

CATV was prominently on the minds of the Senators who grilled FCC nominees Dean Burch and Robert Wells last week, and though little of substance was said by either of the two, Burch at least indicated that he will try not to be bound by past Commission errors.

Burch is replacing Rosel H. Hyde as chairman, and Hyde has always backed harsh CATV rules as a necessary protection for broadcasters. Burch, however, told Sen. John O. Pastore (D-R. I.) and the Senate Commerce Committee that the only valid "measuring stick" in weighing conflicts and problems before the FCC is that the American people should have the best possible communications system available, regardless of vested interests.

Wells, a radio broadcaster who is in the process of selling his stock back to the corporation he worked for, had no comment on cable at all.

No Roadblock Seen

Generally, committee attitudes toward the pair of Republicans replacing another pair of Republicans, Hyde and commissioner James J. Wadsworth, was favorable, if not overly enthusiastic, and there seemed no roadblock to Senate confirmation, despite objections to the appointments raised by the National Citizens Committee for Broadcasting and by a black-power group called Black Efforts for Soul in Television (BEST).

Sen. Howard W. Cannon (D-Nev.) first raised the cable question, asking Burch if he had any "preconceived ideas" about CATV. It was at this point that Burch said he believed in regulating to attain the best possible communications system. Cannon also queried the Tucson attorney, an articulate 41-year-old, about whether he believed that allowing CATV systems to import distant signals would foster the eventual dominance of television by a handful of powerful television stations. Burch

would only state that he had no preconceived notions on the subject. He also begged off commenting on the communications satellite issue, pleading a lack of familiarity.

Senate Minority Leader Hugh Scott (R-Pa.) also mentioned cable, though he said only that he would ask Burch and Wells to comment in writing later about CATV. But he did stress the "vital importance" of CATV to Pennsylvania, both from the manufacturing and subscriber service standpoint, and he criticized the FCC's interim rules as a "virtual freeze."

Thomas P. F. Hoving, chairman of the National Citizens Committee for Broadcasting, sent committee members a telegram that Pastore read. Hoving criticized television programming as offering a choice between "excessive violence and utter vapidness" and said that he fears the appointments of Burch and Wells will only confirm the isolation of money-mad media magnates from the public interest. Neither Pastore nor the appointees seemed to take the criticism too seriously—apparently regarding it as



Sen. John O. Pastore says measuring stick is public interest.

irresponsibly extreme—though Pastore, though making no direct comment, apparently was burned at the telegram's tone.

The BEST organization representative, Absolam Jordan, accused Burch in particular of being "racist," a remark at which Burch took "personal umbrage." Jordan called for the appointment of a black member of the FCC, and while Pastore and the committee treated his testimony with respect, it did not seem to endanger the appointments.

No Tinge Of Partisanship

Other highlights of the Wednesday morning hearing included Burch pledging that his past as Republican National Chairman would not tinge his chairmanship with partisanship. "Basically," he said, "my profession is that of a lawyer . . . I would not be the Republican chairman of the Commission, I would be the *chairman of the Commission*."

He said that television should be careful of obscenity and violence in programming. "My gut reaction is that this shouldn't be allowed on the television screen," Burch said of X-rated motion pictures, though he said he wasn't committed to a point of view.

The chairman-designate found the application of the FCC's fairness doctrine to cigarette advertising "salutary," and he indicated that he wouldn't be at all upset if the commercials went off the air altogether.

He has "no bitterness" toward broadcasters because of the coverage of the 1964 campaign of Barry Goldwater, but he has "a lot of memories."

"I have no vendetta against the networks," he said. Of the Non-Commercial Corporation for Public Broadcasting, Burch said, "I will give you my pledge to support it in every respect, personally and otherwise."

When committee chairman Warren Magnuson (D-Wash.), who let Pastore run the hearing asked Burch and Wells to try to straighten out the spectrum allocations mess, Pastore interrupted to say that "someone's got to stand up to the military." His contention was that the defense department has too much of the spectrum.

CATV Sweeps New York Hearing Series: Prominent CATVers Too Tough For Foes

Second round of testimony before state assembly committee indicates strong support for no public utility regulation of CATV. Host of notables make attractive cable presentation.

The second of the two planned CATV hearings held last week by the New York Standing Committee on Corporations, Authorities and Commissions of the State Assembly, demonstrated the strength of the cable television industry in that state.

Defending the industry were CATV prominents Frederick W. Ford, president of the National Cable Television Association; Irving Kahn, president of TelePrompTer Corp.; Charles Dolan, president of Manhattan TV Cable Co.; and Edward Shafer, Foster and Associates, who served as a consultant for the New York State CATV Association. Opposing the cablemen were representatives of the motion picture theater owners and ABC.

Additional witnesses were Assemblyman Leonard Price Stavisky (D-New York City), who is credited with the introduction of the Public Service Commission bill in the last Assembly session; Morris Tarshis of the Bureau of Franchises of New York City; by proxy, Robert Thomas, vice chancellor of the State University of New York; Bernard Cooper, chief of the Bureau of Mass Communications of the State Department of Education; and a representative of Hyman Shapiro, business representative of Local 3 of the AFL-CIO, International Brotherhood of Electrical Workers.

The general tone of the hearing was very much the same as it was the week before, although the motion picture theater owners and the representative of ABC came in for more antagonistic questioning than in the past.

Indications are that the New York Committee wants to get into the CATV act and intends to do so without letting cable TV go to the PSC. They seemed favorable toward the idea of a bill which would set up an advisory board in order to study CATV and recommend legislation as it might become necessary in certain areas.

Leonard Stavisky, leading off the



Morris Tarshis, Franchise Bureau of New York City.

testimony, expressed the need for more state legislation, but he tempered his previous stance slightly. He said that because the Public Service Commission is the only alternative, that this is where the policing of the CATV industry should lie.

The next speaker was Frederick W. Ford who gave a detailed review of the status of regulation. He said, "Under no circumstances should CATV be regulated as a utility. It is recognized as a medium for the provision of entertainment and information and not as a necessity.

"The CATV industry which you intend to regulate today," he said, "may be something entirely different tomorrow." Legislative timing, he added, requires patience to avoid the pitfalls of hasty action which can lead to bitter litigation.

Morris Tarshis had a prepared statement, but spoke from notes hitting the high spots of his presentation. He stated that the city will seek legislation encompassing the use of the underground ducts (in light of the recent Comtel decision which in essence defines the city as having no control over franchising of systems using underground ducts). He also brought up the possibility of legislation to confirm the city's

right to give the CATV franchisees rights of eminent domain or condemnation to force entry into buildings where landlords are holding them out.

Tarshis urged that it is important to think of CATV as a total communications medium as well as an entertainment medium. He said that the serious

(Continued on page 19)

MEETING CALENDAR

OCTOBER

20-21—North Central CATV Association fall meeting. Playboy Club, Lake Geneva, Wisc.

20-21—Mississippi CATV Association Annual Meeting. Broadwater Beach Hotel, Biloxi, Miss.

22—New England Cable Television Association fall meeting. Brown Derby Supper Club, Montpelier, Vt.

30-31—Mid-America CATV Association. Prom-Sheraton Motor Hotel, Kansas City, Mo.

NOVEMBER

4-6—Vikoa CATV Service School. Southwest region, Hilton Inn, Dallas Texas.

6-8—NCTA Cablecasting Seminar. National Cable TV Center, Pennsylvania State University, University Park, Pa.

9-12—"California Community Television Association Western Cable Television Show."—annual meeting. Hotel Del Coronado, Coronado, Calif.

DECEMBER

3-5—Eighteenth International Wire and Cable Symposium—theme: "Wideband Cable Transmission Systems" Shelburne Hotel, Atlantic City, N. J.

JANUARY

8-10—Rocky Mountain Cable Television Association Annual Meeting. Safari Motel, Phoenix, Ariz.

TelePrompTer And Volt Agree To Merge Companies

TelePrompTer Corporation and Volt Information Sciences, Inc. announced last week that they have reached agreement in principle for the merger of Volt into TPT.

Volt is an integrated technical services, educational and data processing company. A wholly-owned subsidiary of Volt is Marden-Kane, Inc., one of the nation's best-known developers of consumer contest sweepstakes, incentive plans and games.

The merger agreement is subject to approval by shareholders of the two companies. Volt common shares will be changed by the merger into shares of TPT common and preferred at the rate of one share of TPT common and one share of preferred for each ten shares of Volt. Approximately 600,000 shares each of TPT common and preferred will be required in the exchange for approximately 6,000,000 shares of Volt outstanding and issuable upon conversion of certain Volt preferred shares.

The new class of TPT preferred shares to be created for the purpose will be convertible for a period of seven years, at the election of the holder, into three shares of common with a cash payment to TelePrompTer of \$77 per share (of common), or into one-third of a share of TelePrompTer common without any cash payment. If all with preferred were converted on the first basis, an aggregate of approximately 1.8 million TelePrompTer common shares for a maximum cash payment of approximately \$138.6 million would be involved.

TelePrompTer Corporation also has pending a merger with H&B American.

Irving B. Kahn, chairman and president of TelePrompTer Corporation, who will be chief executive officer of the combined companies, said, "The merger with Volt is another important step in our corporate plans for utilizing the full multi-channel capacity of coaxial cable systems. We will now have capabilities in the computer software and data transmission field as well as a nationwide marketing and promotion organization, to enable the cable television industry to begin, in fact, to move into some of the promising new areas of communications that we have



Irving Kahn, TelePrompTer Corp. president

talked about for many years."

William Shaw, president of Volt Information Sciences hailed TelePrompTer's reputation for "dynamic leadership". The merger agreement is expected to be submitted to special shareholder meetings of both companies about year end.

New Discade Concept Introduced By Ameco

What has been described as a "revolutionary new CATV transmission and distribution system" featuring dial access and eliminating wideband amplifiers is being installed by Ameco at two locations in the southwest.

The pilot "Discade" installation, nearly completed, is in a Scottsdale, Arizona residential complex. The second Discade installation is a rebuild and completion of the system serving 20,000 homes in Daly City and Broadmoor, California (see cover photo).

"As system bandwidths continue to expand," said Bruce Merrill, Ameco president, "our engineers questioned the wisdom of providing a 200 MHz spectrum of signals to a subscriber who can only watch one channel at a time. After an extensive research program, we have developed a thoroughly practical system which employs no wideband amplifiers, and greatly simplifies the problems of TV signal distribution."

"Discade" is a word derived from "discrete cable area distribution equipment." According to Merrill the Discade system uses a multi-conductor coaxial trunkline and "area distribution centers" located at appropriate intervals throughout the area to be served. The distribution center is a switching station which supplies only the desired channel to each TV receiver.

All signals are transmitted at a common low frequency which is said to avoid the attenuation of coaxial cable at VHF frequencies.

At the subscriber set, a compact selector unit is used to send control signals back to the distribution center. The same unit also converts the incoming low-frequency signal to a standard VHF TV channel and feeds it to the TV receiver.

Merrill listed these operational advantages for the Discade concept:

(1) Elimination of cross-modulation and second order distortion as limiting factors in system design.

(2) Improved carrier-to-noise ratio throughout the system.

(3) Improvement in system reliability.

(4) Simplified maintenance requirements.

(5) Systems may be expanded almost without limit, both with regard to the number of channels carried, and to the geographical area of coverage, with no change required in the basic system.

(6) Eliminates the requirement for a

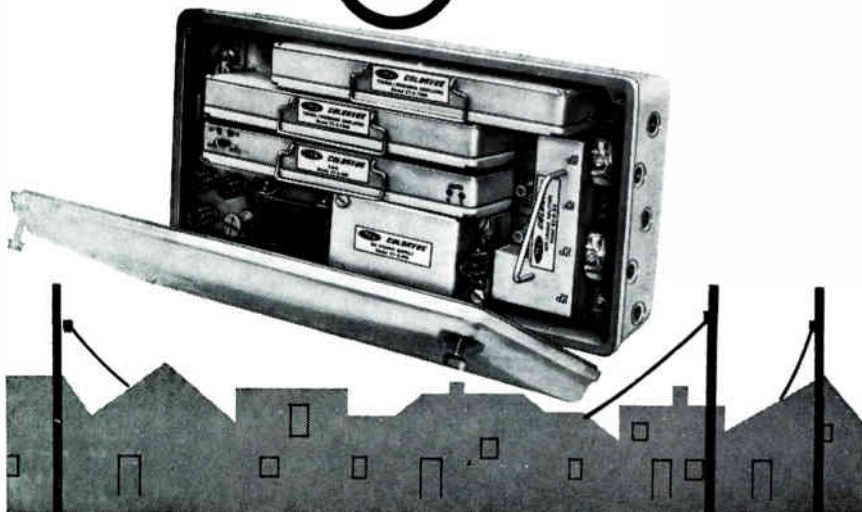
Capitol Hill Says Copyright Bill Likely

If all goes as Senator McClellan's staff hopes, a copyright bill will be reported out of the Subcommittee on Patents, Trademarks and Copyrights before Halloween. Details of the legislation are unavailable, but it is certain that it will include CATV.

Also certain is the fact that Senator Warren Magnuson (D-Wash.) and his Commerce Committee will have a shot at the bill. If Magnuson and Communications Subcommittee Chairman John Pastore (D-R.I.) wish to append any regulatory language to the copyright provisions, they will have the opportunity to do so.

*if you haven't
investigated AEL's
COLORVUE
EXPANDED
BAND
Trunk Line,
Intermediate Bridging
and Extender Amplifiers
YOU MAY BE
CHEATING
YOURSELF!*

Now, what can we do for you?



tunable converter at the customer's TV set.

(7) System is not affected by high ambient level of "off-the-air" signals at the customer's TV set.

In addition to these operational advantages, Merrill added that it is possible to design into a Discade system the following functions not now possible with a broadband RF distribution system:

(1) Two-way operation, throughout the system or at selected points.

(2) A total or partial remote monitoring capability for maintenance or other purposes.

(3) Unique and dramatic emergency alert capabilities.

The final advantage pointed out is that a Discade system requires for its maintenance only low frequency fixed-tuned testing devices which are already available.

Ameco has had the Discade process under development for several years, and has patent applications in process.

Adler, Governor Highlight West Virginia Convention

A home state welcome was given to NCTA chairman William Adler when he returned to West Virginia last week for the state's cable television association convention held at the Greenbriar Inn, White Sulphur Springs.

Adler along with Governor Arch Moore, who has long been a CATV ally beginning from the period when he was a congressman, welcomed and commended the state CATVers.

The NCTA chairman gave a report concerning the national cable situation, and Governor Moore told the association members what a great job that the industry was doing and reaffirmed support for the industry.

New officers were elected and the term of Sanford Randolph, American Cablevision, Clarksburg, who was president for the last two years, elapsed with his automatically becoming a director.

The new officers are: president, Edwin D. Haines, Haines Radio TV, Cameron; vice president, William Turner, Welch Antenna, Welch; Bert Cousins, American Cablevision, Rich-

mond, remained in the position of secretary-treasurer.

Directors are; William Heinbach, Bluefield Cable Corp., Bluefield; Frank Tacy, Ohio Valley Cable Corp., Marietta; Joseph A. Lyons, Capitol Cable Corp., Charleston; Ellister Kennedy, Kennedy TV Cable, North Fork; and William Higgins, Capitol Radio and TV, McMechen.

Remaining directors are: John R. Rannells, Potomac Valley TV Co., Romney; Carl E. Gainer, Richmond TV Co., Richwood; and Charles F. Erickson, Durfee's TV Cable Co., Parkersville.

The first day of the convention, aside from general registration and welcoming new members, was devoted to presentations by Ken Lawson, of TeleMation, who put on an excellent presentation on closed circuit origination. Frank Cooper, of Gridtronics, gave a presentation of TeleVision Communication's new concept and Bert Kittay of Television Presentations Inc., demonstrated the firm's Alphamatic news to the conventioners.

The second day was used to hear

speakers representing the state's educational television stations which work in close harmony with cable operators. C. Gregory Van Camp, manager of WWVU-TV, and Frank Blake, manager of WSWP-TV, Beckley, reported on the state's three educational channels and how the two industries complimented each other.

Antenna Site Seminar Generates Great Interest

The Seminar on Antenna Site Design and Maintenance, held last week at the National Cable Television Center at Pennsylvania State University, University Park, was characterized by participants as generating "intense interest".

A survey was taken of the attendees to indicate preferences for the next seminar which is planned for February. The three most popular topics were cable distribution systems, sweep techniques, and new services and methods of implementations.

Sessions, which provided for

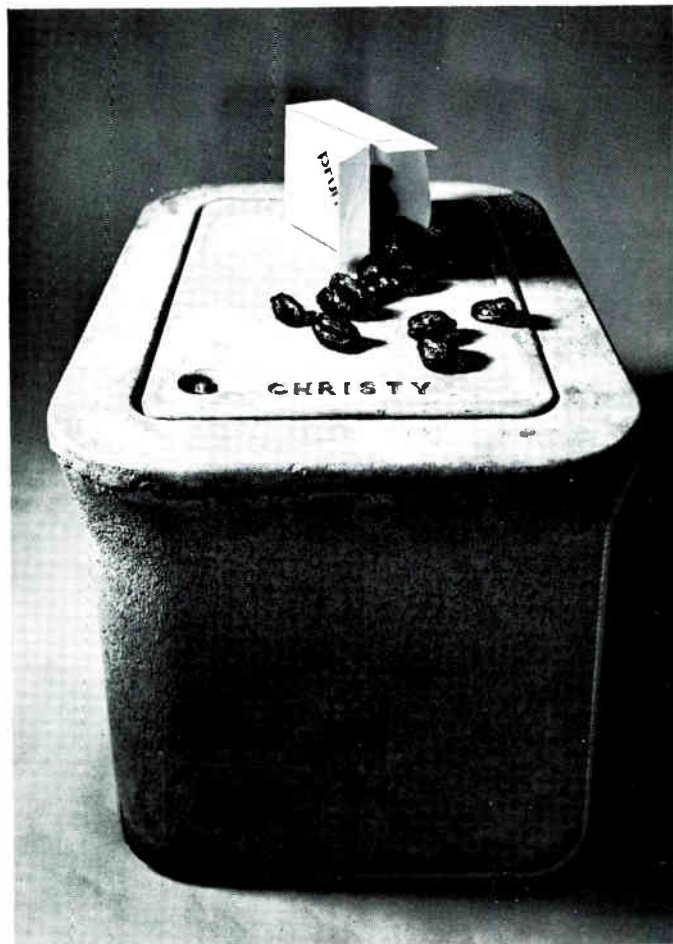
question-and-answer periods, started with speaker Ken Brubaker, manager of Altoona Video Corporation, who spoke on TV signal problems of color distortion. He went through video signals, video test signals, video test equipment, translator practices and measurement procedures at video frequencies.

Larry Roeshot, technical director of the National Cable Television Center, spoke on various techniques of heterodyne, demodulation/modulation processes and reviewed spectrum analyzers along with discussion for using Veractor pre-selectors to reduce interference.

After hearing Roeshot, attendees witnessed a video playback from the previous seminar in which portions of the presentation were shown and discussed.

Walter Wydro, Centre Video, Penn Hills, discussed amplifiers, noise figure, distortion and antenna site equipment.

The group wrapped up the seminar with a trip to the antenna site installations at Altoona Video as well as Centre Video.



**We'll never
get the
wrinkles out
of the prunes**

BUT . . . WE'LL SUPPLY THE LIGHTEST,
STRONGEST PRECAST CONCRETE UNDER-
GROUND SYSTEM BOX AVAILABLE

CHRISTY CONCRETE PRODUCTS, INC.

EMERYVILLE • TULARE • FREMONT
P.O. BOX 287 FREMONT, CALIF. 94537



Propheteers

Generations ahead. Not just on the drawing board or in papers for seminars, but production. We apply IC technology for high performance, low maintenance.

Our concepts have caught on because they're production oriented to make results better, work easier and costs a lot lower initially and in operation.

That's propheteering for us. Profiteering for you.

For example, there's our MESSAGE CHANNEL™ Automatic Message Center. It holds twenty-four 3" x 5" cards or photos. It can display each unit for a period of 4½ to 30 seconds. It operates automatically in any one of three modes: full Sequence, Stationary, or Sector—repeat scanning a selected number of units. It can also be advanced manually—clockwise or counter-clockwise.

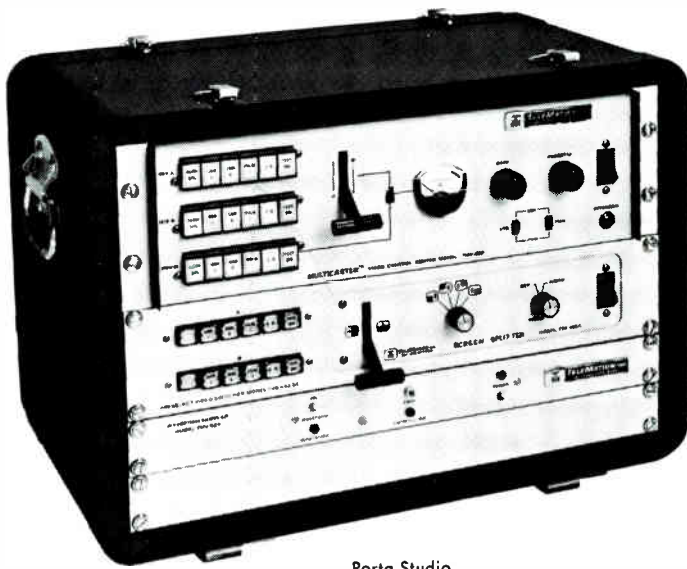


TMM-300 Message Channel

Then there's PORTA-STUDIO™, an easy way to carry a complete EIA studio control package. The case is durable molded

fiberglass with metal frame for maximum portability, and serves as a 19" rack for various components like a video control center, screen splitter, waveform sampler, monitors and audio mixers.

A PORTA-STUDIO™ equipped with a MULTICASTER™ Video Control Center accepts up to six cameras, video tape recorders



Porta-Studio

or other video sources, and permits synchronous switching. MULTICASTER™ can also provide a common EIA sync generator, three outputs at full EIA/FCC broadcast standards, intercom and tally light switching, and master pedestal and gain controls. A

TSE-100A Screen Splitter gives you split screen and corner inserts and the TMV-529 Waveform Sampler lets you set-up your video sources without expensive waveform monitors.

Our line is the most complete. The furthest ahead. As for what's on the board now, we'll tell you in the next few months.

TALK TO TELEMATION. (The Propheteers)

TELEMATION, INC.

The Total System Supplier

2275 South West Temple
Salt Lake City, Utah 84115
(801) 486-7564



Moving Up

Charles C. Snider has been named to the newly created position of executive vice president and general manager of International Video Corporation. He will direct all of the business operations of the firm and will have responsibility for certain corporate finance and legal matters and for acquisitions. He has been with the firm for the past year as vice president-international.

Edward Bergman Jr. has been appointed to vice president and general manager of Leesburg Cablevision Inc. The system is a subsidiary of Florida-based Lebar-Friedman. Bergman is former midwest sales manager of Chain Store Age supermarkets.

T.U.P. Cable Company, Inc. has appointed *William Brown* to chief technician and engineer of the firm's Franklin Township, Pa. system. Before joining the company, he was the assistant chief technician for Multi-Channel Cable Co. He is a graduate of the Jerrold and Ameco schools for TV technology.

Paul K. Murphy has been appointed vice-president and director of research of Television Testing Co. The firm is a joint venture between audits and surveys, marketing and research, and H&B American Corp. The new firm utilizes CATV facilities to develop research services for advertisers

agencies and broadcasters. Murphy has served as research account supervisor for Compton Advertising Inc. and as account executive with Gallup & Robinson Inc.

The law firm of Pittman, Lovett and Hennessey has announced that *Marc A. White* has become a partner and that the firm will continue as Pittman, Lovett, Hennessey and White.

Charles L. Cassar has been named director of marketing services and *William R. McIntire* has been named director of the midwest regional sales for the CBS Electronic Video Recording division. Cassar was manager of market research and McIntire was previously with Baily Firms, a subsidiary of the firm.

William M. Keiser Jr. has joined Visual Electronics as sales engineer with the territory which includes Michigan, Indiana and Western Kentucky. Before joining the firm, he was employed by WMSB-TV, WHMI and WVIC of Michigan and KLWN of Lawrence, Kansas.



Mr. Murphy



Mr. Snider



Mr. McGuire

**Now,
a converter with
30,000% increased
service capacity***



*Operational
in California

Meet the industry's first 24 channel in-system converter. A single unit serving 300 homes. Per-customer costs are substantially less than dual plant or set top converter systems. Call or write for detailed information.



ELECTRONIC INDUSTRIAL ENGINEERING
7355 Fulton Avenue North Hollywood, California 91605 * (213) 764-2411

Dave Parsons has been promoted to sales training director, video products, Sony Corporation of America. His activities will encompass training sales personnel and dealers on product application and usage.

William C. McGuire has been appointed telecommunications market manager for the Amphenol Sales Division of The Bunker-Ramo Corporation. Formerly, McGuire was telecommunications market manager for Amphenol Industrial Division, Chicago, Illinois.

Kent Johnson has been appointed to program director of Newport Beach Cablevision. His duties will include supervision of the system's local events and civic programs.

John B. Wright has been named chief engineer of Cox Cablevision Corporation. He continues in his position as Chief Engineer of Video Service Company, a microwave common carrier subsidiary of Cox which serves CATV customers in Indiana. He has served in a technical capacity in microwave and cable television since joining the firm in 1965.

James R. Billingsley has joined Visual Electronics as sales engineer, mid-western sales region. He comes to the firm with 27 years of radio and television experience. He started as a control room operator with WATM, Watertown Broadcasting, New York, and progressed through the profession, to chief engineer with WKBF, Kaiser Broadcasting, Cleveland, Ohio. Billingsley's sales territory will include Ohio and Eastern Kentucky.

Digest of Earnings

NATIONAL CABLE COMMUN. CORP.

Year	Dec. 31 1969	1968
Oper revenues	\$366,077	\$140,327
Net income (loss)	19,780	(58,594)
Share earns (loss)	.03	(.09)

The above unaudited figures were reported in NCC's recently released prospectus. The firm announced that it is planning to go public and has filed a registration statement with the Securities and Exchange Commission.

The newly formed Greenwich, Connecticut company is principally owned by Larence Flinn Jr., an MSO-operator. An offering of 170,000 common shares, 150,000 of which are to be sold by the company and 20,000 of which are to be sold by a stockholder, were reported to the SEC.

Brokers for the transaction are Burton, Dana, Westerlund, Inc. The stock is valued at \$10 per share. Stockholders of National Cable are Flinn, president-treasurer, 84%; William Turner, vice president-engineering, 9%; and George H. Bright Jr., director, 7%.

Of the net proceeds of the stock sale, \$170,000 will be used for expansion and improvement of the existing CATV systems and the balance will be used primarily for the acquisition of franchises and construction.

The firm has 625,000 shares outstanding. Turner will sell 20,000 of his 53,532 shares. Approximately 22% of the company will be publicly held, with Flinn owning about 68%; Bright, 6%; and Turner, 4%.

Industry Stocks

Stock	Stock Exchange	This Week	Last Week	Year High	Year Low	Shares Outstanding
Amecco	AM	8 5/8	9	19 1/2	7 1/2	1,200,000
Amer. Elec. Labs	OTC	7	6 3/8	16 1/4	6 1/4	1,516,432
Amer. TV & Comm.		14 1/4	14 1/8	14 1/2	11 7/8	1,775,101
Avnet		13 7/8	12 7/8	36 1/2	12	9,909,054
Cable Info Systems	OTC	3	2 3/4	4 5/8	2 1/2	955,000
Cablecom General	AM	8 3/8	9	15	8 3/8	1,605,000
Citizens Fin. Corp.	AM	13 1/8	16	28 3/4	13 1/8	994,689
Columbia Cable	OTC	10 3/4	10 1/4	14 1/2	9	876,000
Cornelia Corp.	OTC	1 1/2	1 1/8	8 3/8	7/8	
Cox Cable Comm.	OTC	14 1/2	14	44 3/8	13	2,550,000
Cypress Comm.	OTC	10 1/2	10 1/2	20 1/2	10	839,000
Entron	OTC	3 1/2	3 1/8	11 1/4	3 1/8	600,900
Famous Players Ltd.	C	13 5/8	13 1/2	19 1/4	13	6,948,000
General Inst.	NY	36 3/4	34 5/8	56 3/4	27 5/8	6,026,000
Gulf & Western	NY	25 1/8	20 7/8	60	20	15,120,860
H&B Am	AM	15 1/2	14 7/8	27 3/8	13 5/8	4,972,589
Kaufman & Broad Inc.		44 1/2	42 3/4	42 3/4	29 1/2	3,900,909
Lamb Comm., Inc.	OTC	4 1/2	4 1/4	10 1/4	4	2,468,284
LVO Corp.	NY	8	7 3/4	15	7 3/4	5,692,078
Maclean-Hunter	C	17 7/8	17 5/8	18 1/4	12 1/4	2,000,000
Reeves	AM	17 1/8	13 1/2	41 7/8	12 7/8	2,163,000
Scientific-Atlanta		9 1/4	8 5/8	19	6 1/2	903,442
SKL	OTC	4	3 3/4	8 1/2	3 1/2	550,000
Sterling Comm.	OTC	5 1/2	5 1/4	13 5/8	5 1/4	
TeleMation Inc.	OTC	25	24 3/4	25 1/4	14 1/2	1,086,735
TelePrompTer	AM	66 1/2	59 3/4	78 1/2	42 1/2	1,006,000
TeleVision Comm.	OTC	11 1/2	11 1/2	21	10 3/4	2,645,046
Vikoa	AM	23 1/4	24 1/4	39 1/4	12 5/8	1,719,345

These are Wednesday closing prices supplied by Dempsey-Tegeler. AM = American Exchange; NY = New York Exchange; OTC = Over the Counter; C = Canadian Exchange.

Give your subscribers the message with

Slide-Scanner!

The new R.H. Tyler Slide-Scanner gives great new versatility to your public service and advertising message requirements! Featuring the Concord MTC-18 camera and a Kodak 88-slide carousel projector, this compact (27" l. x 11" w. x 12" h.) unit gives you almost unlimited capacity for professional-looking, full color messages. Slide-Scanner may be easily phased into Weather-Scan or Weather-Scan II operation. Inquire today for full details on this income-building unit for your system! R.H. Tyler Co. 1405-15th St., Wellington, Texas. (806) 447-5841.



Complete
as shown only
\$1084

 **R.H. TYLER
COMPANY**

The Originator of Time/Weather Equipment for Cable Television

When You Go Underground GO WITH UNDERGROUND

FORTY YEARS EXPERIENCE IN
UNDERGROUND CONDUIT, CABLE
AND STRUCTURE INSTALLATION

CATV

Feasibility Surveys
Engineering
Consulting
Complete Conduit-
System Construction

WE OFFER

Firm Quotations
Experienced Workmen
Integrity
Reliability

ART SEYMOUR

BOB JONES

UNDERGROUND CONSTRUCTION CO., INC.



Engineering Contractors

2600 Williams St., San Leandro, Calif. 94577
(415) 357-3520

Franchise Activity

CALIFORNIA: Corona: The city council has extended to Nov. 3 the closing date for accepting bids for a CATV franchise. The council had previously set the date for Oct. 6, but provided for the extension in order to study and revise its enabling ordinance. . . . **Stockton:** The city council has passed an enabling ordinance and is now receiving bids for a CATV franchise. . . . **Oakland:** The city council has received five franchise bids: Focus Cable, Oakland Cablevision (American Television and Communications Corp.), TelePrompTer Corp., Cablecom-General, Inc. and Time-Life Broadcast, Inc.

KENTUCKY: Bowling Green: The city commission has revised the city's enabling ordinance for the third time. The most recent change is to reduce the amount of minimum annual revenue given to the city from \$25,000 to \$15,000.

MAINE: Old Town: The town council has received a franchise bid from Penobscot Company, the firm which operates a system in Bangor. . . . **Biddeford:** The city fathers have granted a 10-year cable franchise to Costal Cable and Antenna. The system has specified five channels, plus FM and one channel made available to the school system.

MISSOURI: Sikeston: Voters have approved See-Mor Cable Television Inc.

a 20-year franchise. The system will cable five off-the-air channels.

NEW YORK: Huntington: The town board has awarded the city's second cable franchise to Inter-County Television Corp. The first franchise was granted to Huntington Cable Corp. and a third, North Suffolk CATV Systems, Inc., is being considered by the board.

OHIO: Fremont: The city council has received four cable TV franchise bids: Wolfe Broadcasting Corp., Continental Cablevision, Fremont Messenger Co., and Swartzlander Radio.

OKLAHOMA: Duncan: A city council-appointed committee is studying eight firms applying for a CATV franchise. The firms are: Cablevision of Duncan, National Communications Service Corp. of Nashville, Tenn., J. C. Kenedy of Lawton, Okla., Kenneth Klaffe of Oklahoma City, Cyrus P. Edwards of Oklahoma City, Fidelity Cables Inc. of Blackwell, Okla., Davis Communications Inc. of Beverly Hills, Calif. and Duncan Cablevision Inc.

SOUTH CAROLINA: Anderson: City councilmen have passed an enabling ordinance for CATV and are preparing for the first reading. The ordinance requires an initial eight channels with provisions for an additional four. . . . **Bishopville:** Town officials have granted a cable TV franchise to Edward Mirmow Jr. and Associates of Orangeburg operating under Bishopville Cablevision Inc.

SUBSCRIBE TO THE AUTHORITATIVE NEWSWEEKLY OF CABLE TELEVISION

CATV

Please begin my subscription immediately. I understand I receive free copies (when published) of the comprehensive CATV EQUIPMENT DIRECTORY & CATV SYSTEMS DIRECTORY.

ONE YEAR \$33
 TWO YEARS \$60

NAME _____

FIRM NAME _____

TYPE OF BUSINESS _____

ADDRESS _____

CITY _____

STATE _____ ZIP CODE _____

CATV PUBLICATIONS, INCORPORATED
1900 W. Yale/Englewood, Colorado 80110

System Construction

ALABAMA: Alabama TV Cable, Inc. has announced that installation of plant for its system to serve Fairfield and Homewood is under way. The system is expected to be energized in November.

Telvue Cable, Inc. has announced the expansion of its 8 video channel system to include more unincorporated areas of Jefferson County in the Vestavia area.

Samson Cable TV has announced that construction is under way on its 7-channel system to serve Samson.

COLORADO: Pueblo TV Power, Inc. has announced that construction is scheduled to begin soon on its proposed 225-mile system to serve Pueblo. The first phase of the system, which will be constructed by Jerrold Corp., is expected to be energized in December.

GEORGIA: GT&E Communications, Inc. has added Macon's Channel 41 to

its 5 video channel system which serves Eastman.

KANSAS: Midway Cable TV has announced the completion of its tower to serve Kansas City with 10 video channels.

MINNESOTA: Fergus Cablevision has added two channels to its system which serves Fergus Falls. The firm was previously offering subscribers 6 video channels.

MISSISSIPPI: General Electric Cablevision Corp. is in the process of replacing all of the cable from its system which serves Biloxi, Ocean Springs and Keesler AFB. The replaced cable was extensively damaged by Hurricane Camille.

Coast TV Cable is presently restoring cable service to the Long Beach area after sustaining heavy losses during

Hurricane Camille. The system's tower and much cable was damaged by the storm.

MISSOURI: St. Joseph Cablevision is presently making free hook-ups to St. Joseph's 24 grade schools. The firm offers subscribers 11 video channels.

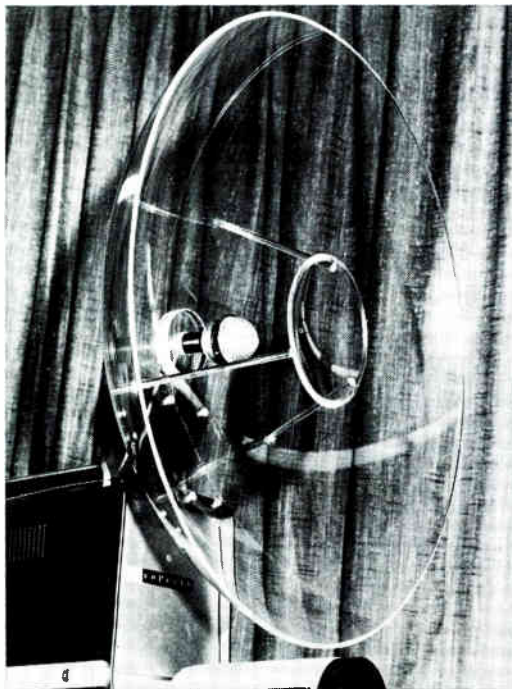
NEW JERSEY: Holly City Cable Television has announced the addition of local origination programming on its system which serves Millville.

NORTH CAROLINA: Statewide Cablevision has announced that construction is expected to begin shortly in Canton. The firm has awarded a turnkey contract to Vikoa Construction Co. and construction is tentatively scheduled to begin around mid-October.

NORTH DAKOTA: Grand Forks Cable TV has announced that construction is under way in Grand Forks.

PENNSYLVANIA: Steel Valley Cablevision has announced that construction is under way on its system which will serve Carnegie, Crafton and Ingram. The firm is planning a 10-channel system.

CSI's Amazing Cassegrainian Microphone



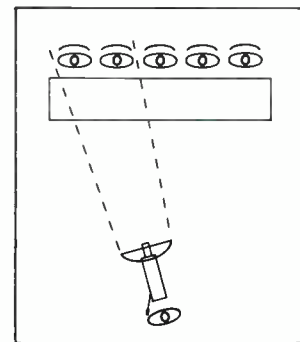
CSI-102 \$249.50

- ★ Eliminates extra mikes
- ★ Takes the place of: Boom mikes
Hand mikes
Lavalier mikes
- ★ Frees your talent
- ★ No cables to trip over
- ★ More versatile than "Shot Gun" mikes

The *ONLY* Answer To Remote Audio Pick-Up Problems

C.S.I. provides complete studio systems. Distributors for Sony, IVC, Ampex, Shibaden . . .

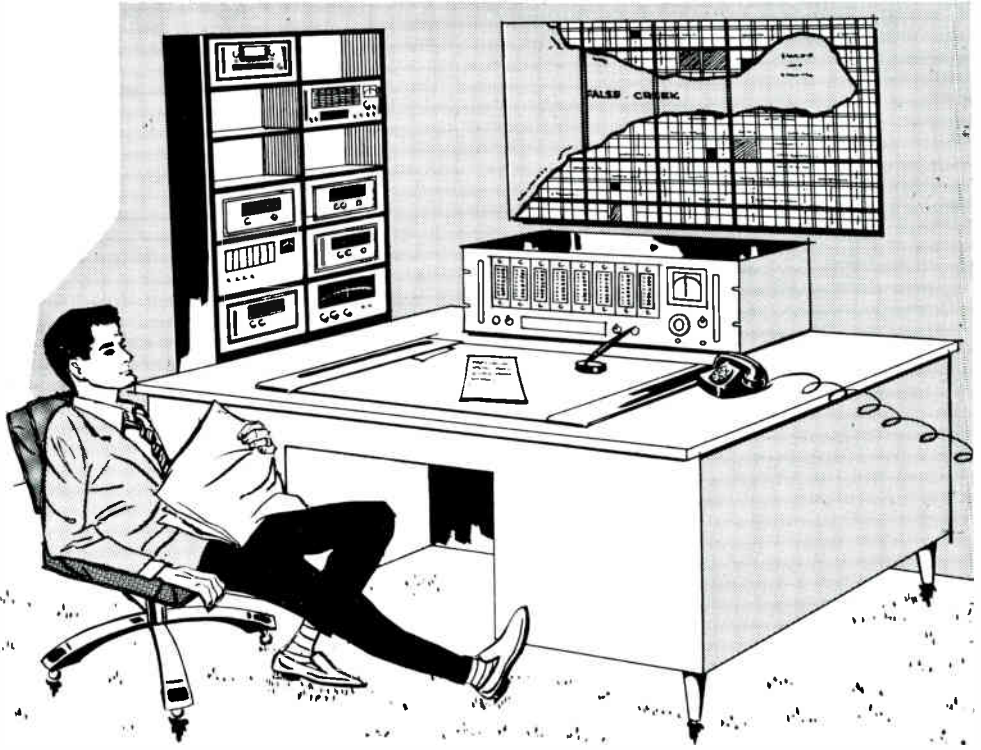
Write or call collect for more information



CSI

CAMERA SYSTEMS, INT'L.
1031/33 BYRAM STREET
LOS ANGELES, CALIF. 90015
PHONE: (213) 748-8925

At CSI, Television Is Our *ONLY* Business



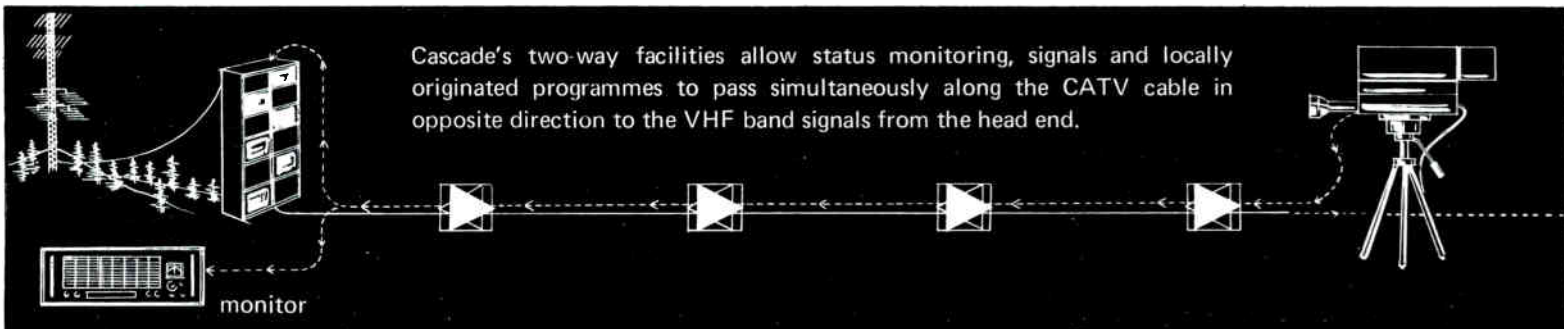
Where would you rather be ?

The output level of individual trunk amplifiers may be monitored constantly, day and night, at the head end or at any control point along a trunk line.

A 'level monitor' module can be added to a UNICOM trunk amplifier, which (in conjunction with the UNICOM two-way communications) transmits the output level of the trunk amplifier to the monitoring point.

The CASCADE Status Monitor, situated at the monitoring point, constantly scans the incoming signals from the individual trunk stations. If their signal levels vary from a pre-determined limit, an alarm is raised.

Any failure or malfunction is instantly reported and pinpointed without any manual effort. Repairs can then proceed with a minimum of delay and expense.



CASCADE ELECTRONICS

Port Moody, B.C.: Electronic Avenue 604/939-1191
 Harrisburg, Pa.: 2395 State Street 717/232-4111
 Santa Rosa, Cal.: 244 S. A Street 707/542-6054

FRED WELSH ANTENNA SYSTEMS

Montreal, P.Q.: 90 Beaubien West 514/276-6363
 Vancouver, B.C.: 5594 Cambie Street 604/327-9201



CASCADE ELECTRONICS LTD. PORT MOODY, B.C.

"the CATV people you can rely on"

New York Hearings

(Continued from page 8)

problem in communications which the city now has is that the telephone company has done "a horrible job" and that the PSC has not adequately supervised it.

He expressed the desire (as illustrated in the Mayor's Advisory Task Force Report) to break the city up into compact areas of roughly 200,000 homes to facilitate the rapid construction of CATV facilities throughout the city. But he stressed that the Board of Franchises would insist upon compatibility so that the city could be interconnected. He commented that the FCC should set the overall standards and the city itself could work best at the local level.

Richard Beesemyer, vice president in charge of affiliates relations for American Broadcasting Co., said he thinks CATV is great as long as it picks up only local signals, but objected to overall expansion. He got some rather unfriendly questioning about what the networks were and were not doing at the present time, although his ideas were later reemphasized by Neil Pilson of Metro Media, a large broadcast group.

Beesemyer was followed by a representative of Robert Thomas, who read the vice chancellor's statements regarding the state university's interest in developing channels for educational purposes. Bernard Cooper re-read the statement that he had given in Albany the week before. Cooper again stressed, somewhat unreasonably in cablemen's opinion, that CATV should be an educational provider.

Movie Pitch Given

The next speaker, Martin Newman, chairman of the National Committee Against Pay-TV of the National Assn. of Theater Owners and chairman of the Fight Pay-TV Committee of the Metropolitan Motion Picture Theater Assn., and Steve D'Inzillo, who is co-chairman of the Joint Labor and Management Committee to Save Free TV, gave the movie pitch and received little sympathy from the committee.

Although Hyman Shapiro did not appear, his statement was read for the record. His union, he said, represents

New York cable companies and "we are vitally interested in the development of CATV as an important present and future source of new job opportunities, particularly for members of minority racial groups, and also because of the clear opportunity it offers for instructional and informational communications services to the American public."

Charles Dolan, president of Manhattan Cable Television, outlined his firm's activities and mentioned some of the problems that they have had with landlords and telephone companies. He indicated that city control was the best form of regulation.

Irving Kahn, president of TelePrompTer, Inc., made specific recommendations that state regulation should not be passed because the FCC preempts much of the regulatory field and while the legislation is in a state of flux it will be difficult for the states to know what to do. He also emphasized the very important stake the local governments have.

Interfere With Development

"In years to come," said Kahn, "a partial or quasi common carrier status is implicit in proposals that some channels of the expanded cable system capacity of years to come be available to random users on a lease basis. It would be virtually impossible, however, and in my view extremely unwise, to attempt to provide for such nebulous future possibilities in present legislation. To attempt to do so would unnecessarily interfere with CATV development."

Kahn said that market forces might be utilized to shape CATV growth in a competitive free society and that public interest in an efficient overall communications system should be the first criterion for CATV regulatory policy.

Kahn suggested development of a continuing advisory body composed of representatives of the state and municipal governments, the CATV industry, and the public to conduct a continuing study of CATV performance and potential. He also suggested the enactment of legislation to form uniform safety standards, establish franchising criteria, delegate pole attachment and underground duct control to local government, and confirm the basic right of CATV operators to enter multiple

dwelling buildings and offer service to the tenants.

A representative of the City Club of New York said they are in favor of CATV, but that private industries cannot be trusted to take care of the public. He suggested PSC control.

Edward Shafer questioned the effectiveness of utility-type regulation. "CATV has not yet achieved a degree of maturity usually associated with an industry which is regulated as a public utility," Shafer said. "The imposition of utility-type regulation at this time could inhibit development unnecessarily."

Newest RCA Concept Compares To CBS EVR

RCA and CBS are once again in direct competition, with RCA's introduction of SelectaVision. The new product is designed to do what the CBS EVR, introduced to cablemen at the 1969 NCTA Convention, does. The CBS Electronic Video Recorder is aimed

SHAW

**MOTOR
HOTEL**

in downtown
SAN FRANCISCO

Shaw Motor Hotel offers motel convenience with hotel luxury and service. Its downtown location, executive suites and meeting rooms make it ideal for conferences, business meetings and sales presentations.

The Shaw adjoins the Civic Center and is next to theatre and shopping districts.



Telephone:
(415) 626-5200

**MARKET STREET
at McALISTER
and JONES**

SAN FRANCISCO

You can originate stock sales prices direct from the floor of the New York Stock Exchange.* And make a profit on it.

Because the New York Stock Exchange — plus everything else in your fully automated ALPHAMATIC NEWS package — pays for itself. And gives you profits to spare from local advertising. No additional expenses—no studio, camera, technicians. Just ALPHAMATIC NEWS and a typist — that's all you need to open up an extra cable channel and start selling advertising. Call us collect (212) 421-9666 or write ALPHAMATIC NEWS a service of



television presentations, inc.
A Subsidiary of Sterling Communications, Inc.

ALPHAMATIC NEWS, Department CN2
Television Presentations, Inc.
375 Park Avenue
New York, New York 10022

- Send me information about New York Stock Exchange coverage via ALPHAMATIC NEWS local CATV origination system.
- Send me information on United Press International 24-hours news coverage and custom packaged ALPHAMATIC NEWS.
- Send me details on local news origination and advertising on ALPHAMATIC NEWS keyboard input.
- Have someone call.

NAME _____

TITLE _____

FIRM NAME _____

ADDRESS _____

CITY _____

STATE _____

ZIP CODE _____

PHONE _____

*Delayed 15 minutes.

Ask Alphamatic News™

A trademark of Sterling Communications, Inc.

primarily at the industrial and educational market; the RCA unit, on the other hand, will be marketed directly to the home viewers.

A laboratory model of the low-cost color television tape player, built around lasers and holography, was described by Dr. James Hillier, executive vice president, RCA research and engineering, as a major technological breakthrough. It was demonstrated and plans for its production were outlined during a press conference at RCA Laboratories, Princeton, N. J.

The tape player will be designed to attach to standard color television sets. It will play full-color programs recorded

on tapes made of the same clear plastic material used in supermarkets to wrap and display meats. The material for the tapes, said RCA, will cost only about one-tenth as much as conventional type films.

The program tapes are specified to be scratch-proof, dust-proof, and virtually indestructible under conditions of normal use. They will have countless replay capabilities, said RCA, and be able to be run in slow motion, or to be stopped and started at will so that a single frame can be studied at length, if desired. The player is engineered to be as compact and as easy to operate as a modern cartridge player.

Present plans call for production of SelectaVision players to commence in 1972. Shortly thereafter they will be offered for sale to the public at a target price of under \$400 per unit.

A library of 100 original program albums in the half-hour to hour category will be offered at the same time for use with the players. Their target price is expected to be about \$10 per half-hour program.

Development of the home players and associated program albums will be undertaken by a new corporate venture group headed by Robert C. Bitting and will involve elements of several RCA activities.

Classified Advertising

Rate for classifieds is 25 cents per word for advertising obviously of a non-commercial nature. Add \$1.00 for Box Number and reply service, per issue. Advance payment is required; minimum order is \$10.00. Deadline for all classifieds is two weeks before publication.

SYSTEM MANAGER FOR LONG ISLAND

Experienced manager wanted by large MSO for large Long Island system. Require strong administrative background. Self-starter. Salary open. Send resume and brief letter to CATV Weekly, Dept. W109-4. All replies held in confidence.

CATV LINEMEN WANTED

For West Coast
CONTACT
Cal-Tel Construction Co., Inc.
1698 East 25th Street
Signal Hill, Calif.
90806
(213) 426-7041

DESIGN INSTALLATION MAINTENANCE BROADWAY MAINTENANCE

Broadway Maintenance Corp.
Long Island City, N.Y. 11101

FIELD SALES REPRESENTATIVES

Experienced in sales and marketing to cable television systems or carrier systems. Background in equipment sales, cable sales, or turnkey system sales. Several territories available. All usual benefits plus wide open opportunity to become district and regional managers. All replies confidential. Write or call Don W. Hoffman, Comm/Scope Corporation, P.O. Box 2406, Hickory, N.C. 28601. Telephone 704/328-5271. An equal opportunity employer.

CHIEF TECHNICIAN

New system under construction in medium sized southern Alabama resort town needs chief technician to supervise construction and work into manager's position. Excellent growth opportunity for aggressive young man, including eventual ownership interest. Reply to CATV Weekly, Dept. W109-3.

ELECTRONICS TECHNICIAN

Position open for chief technician in university owned cable system with responsibility for design and maintenance. Present system includes 8 channels. Send resume to Personnel Office, Mr. Daniel Gehrt, Illinois State University, Normal, Ill. 61761.

HIGH LEVEL TECHNICIAN

If you think you have the potential to be a high level technician but have been denied the opportunity because of your lack of a formal education, or you have not been recognized because of absentee ownership, unprogressive management or big company policy, try contacting us, confidentially, at P.O. Box 968, Alachua, Florida, 32615.

REPRINTS...

... of articles and advertisements can be an effective method of promoting your services and products.

Write CATV 1900 W. Yale
Englewood, Colo. 80110

ELECTRICAL ENGINEERING EXPANSION—WITH A FUTURE CIRCUIT DESIGNERS (Senior)

Perform detailed circuit analysis and design solid-state circuits for broad band equipment in the VHF and UHF region. Experience required.

CATV FIELD ENGINEERS

Challenging opportunities to be the technical representative of one of the leading CATV manufacturers. Position requires individuals with technical communications background and ability to "get the job done" with minimum supervision. Extensive travel required.

Positions immediately available with one of the fastest growing divisions of the famous Kaiser affiliated firms—KAISER CATV, Division of Kaiser Aerospace & Electronics Corporation.

For more information call collect (602) 943-3431 or mail your inquiry to:

KAISER CATV

P.O. Box 9098
Phoenix, Arizona 95020
Atten: Personnel Manager
An Equal Opportunity Employer

profile of a leader



STANLEY GEORGE MCKELVIE

Born in Toronto, Ontario, Canada, March 8, 1926. He attended school at Danforth Technical Institute in Toronto; majored in architectural design. Served in the Royal Canadian Air Force 1943-45. He spent 10 years in Canadian broadcasting; has been vice president and partner in a major Canadian advertising agency; and National Advertising Director and Assistant to the Publisher of a Vancouver daily newspaper. In 1966, he joined the Welsh Group; at present is a partner in the newly formed CATV consulting firm, Cablevision Systems, with responsibility for all advertising and publicity for Welsh systems and others.

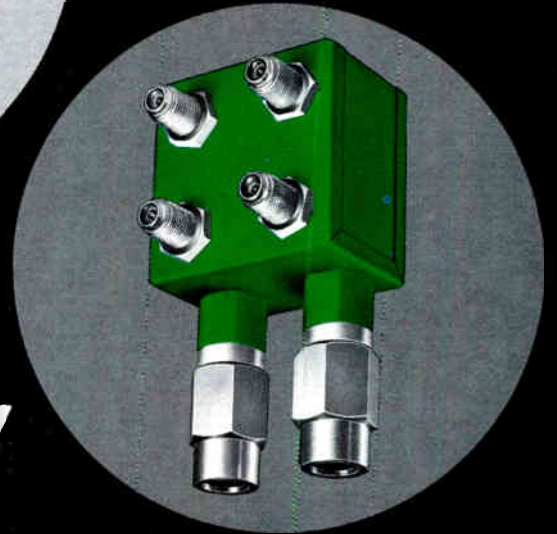
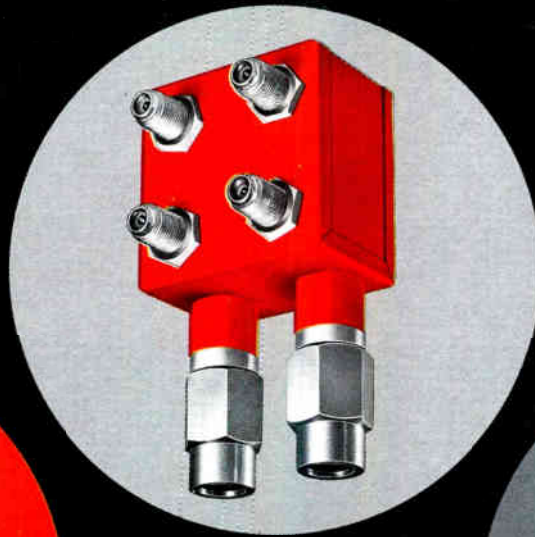
Stanley George McKelvie . . . one of the most highly quotable, widely notable personalities in the cable television industry. He's recognizable by his year-round tan, ubiquitous smile, ready wit . . . and never-failing professionalism. In an industry blessed with numerous talented engineers and a substantial number of men skilled in the arts of finance, there are all too few well-trained and well-qualified professionals in advertising or marketing. Stan McKelvie has proved himself not only an outstanding example of excellence in these areas, but a dedicated leader in the field as well.

Anyone who believes prodigious output is inconsistent with high quality has never seen Stan at work. His staff does all of the advertising, promotion and public relations for the Welsh Group of Cablevision systems—and at the same time, captured the Outdoor Advertising Association of Canada's annual award twice running. In both 1967-68 and 1968-69, the McKelvie-designed Cablevision billboards won national recognition—the *only* times, in fact, that cable television has received a national award for consumer advertising. Insiders and outsiders alike have recognized this man's unique capabilities. A brochure, for example, originally prepared for the Welsh Group, was in such demand by other cable system operators that Stan had it copyrighted, and his department last year produced over half a million copies of the booklet in four languages for nearly two dozen cable systems.

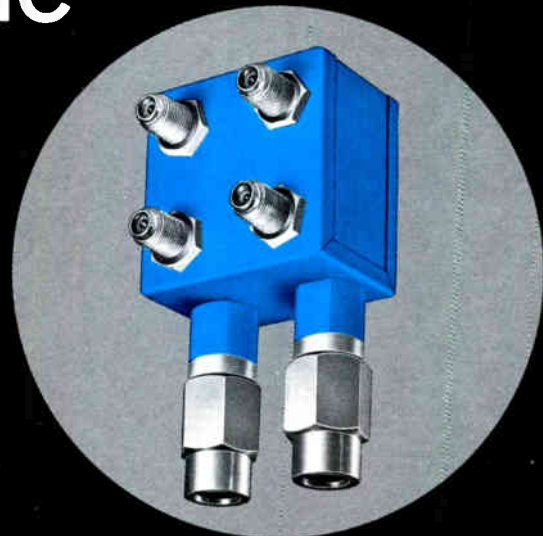
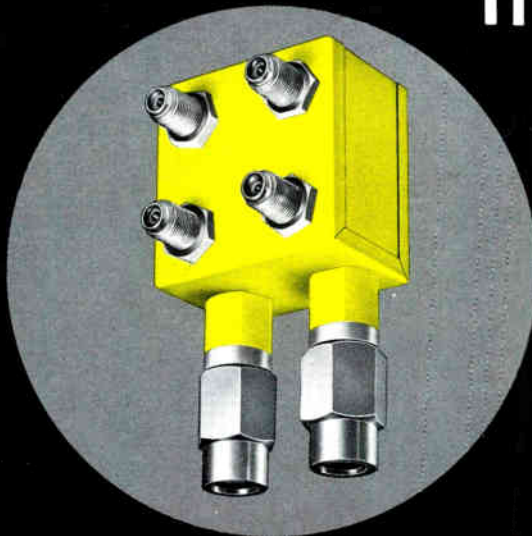
When Stan joined the Welsh Group in 1966, he already had a set of enviable credentials including ten years in broadcasting sales, production and management; a vice presidency and partnership in Canadian ad agency Young, Ross, Anthony and Associates (now Foster, Young, Ross, Anthony and Associates); and a stint as National Advertising Director and Assistant to the Publisher of a Vancouver, British Columbia newspaper. In 1963, while still an agency vice president, Cablevision was Stan's major account. Several years later, largely through the persuasive efforts of Don Paynter, Vancouver Cablevision's Director of Marketing, he joined the staff of his former client.

Just this year a new CATV consulting company—Cablevision Systems—was formed, with Stan as one of the partners. This senior management group advises the many and far-flung Cablevision systems belonging to the Welsh Group (Stan considers the Hawaii system one of those most in need of his on-site help)—and acts as consultants to other operators as well.

Thus, the image of a substantial segment of Canadian CATV has been placed squarely in the hands of Stan McKelvie—the experienced image-builder who at one time, by the way, acted as television advisor to Canada's Prime Minister John Diefenbaker and numerous senior Cabinet members. Whatever he may have told the politicians, he has one basic rule for himself and those he counsels these days: "Smile!" "I've used that word as part of our advertising since 1963," says Stan McKelvie. "It's not a bad slogan . . . or idea! . . . and it works."



the rainbow line



Introducing the 1600 series rainbow line

Featuring:

- Color-coded for ease of tap-value identification
 - Non-metallic case ■ Direct Burial Directional Tap
 - Completely shielded compact size permits 4" diameter, pedestal mounting ■ For further information, write or call collect **craftsman**
- 133 W. Seneca St., Manlius, N.Y. 13104 ■ Area Code 315-682-9105.

is highly regarded as a supplier | stantly changing business en-| tions for the residents of this

Vikoa Builds Triangle Broadcasting Corporation CATV System

Hoboken, New Jersey . . . Vikoa Construction Corporation, a subsidiary of Vikoa, Inc., has been awarded a construction contract to build more than 98 miles of system for the Triangle Broadcasting Corporation of Winston Salem, North Carolina.

George Green, Group Vice President of Vikoa, stated "Vikoa's total vertical capability and expertise affords us the capability of constructing this 12 Channel System with the utmost ease for future conversion to 21 Channel Capability."

Mr. Robert Baum, Executive Vice President, stated that "Vikoa will supply all Futura Amplifiers, all electronic components, as well as all wire and cable products necessary to build Triangle Broadcasting Corporation's system." Vikoa will also build Triangle's Head End.

Triangle Broadcasting Corporation, owner of Radio Station WSJS and Television Station WSJS, Channel 12, serving the Winston Salem, Greensboro, High Point, North Carolina area is highly regarded as a supplier of News, Entertainment and Community Service Communications for the residents of this area.

The progressive attitude with which Triangle Broadcasting Corporation reacts to the constantly changing business environment we live in is only illustrated by their participating as a Community Antenna Television System owner.



(Top, left to right) Mr. Lee Wallenhaupt, Vice President of Engineering, Triangle Broadcasting Corporation; Mr. F. O. Carver, Manager of the Vikoa built Triangle Broadcasting Corporation's CATV System. (Bottom, left to right) Robert Tooley, Contract Manager, Vikoa Construction Corporation (subsidiary of Vikoa, Inc.) and Harold Essex, President, Triangle Broadcasting Corporation.

vikoa, INC.
technically, the One